

**\$1000 REPEATER GRANT—SEE PAGE 2**

# Rip's Report

April 2012



## Happy Birthday

Frank-K2AZZ  
Dana-N2KN  
Jeff-N2RCF  
Claude-WT2C

**OUR REPEATERS ARE BACK ON THE AIR!  
GIVE THEM A TRY.  
REPORTS ARE WELCOME!**

*2012 dues are \$25.00 per individual \$30.00 for family \$5.00 for students and active Military are free.*

**Please Pay Your 2012 Dues!**  
Mail to:  
Stan Engel, WA2UET  
PO Box 153  
Ghent, NY 12075  
Or bring with you to meeting  
Make checks Payable to RVWARS

**PAY**

**YOUR**

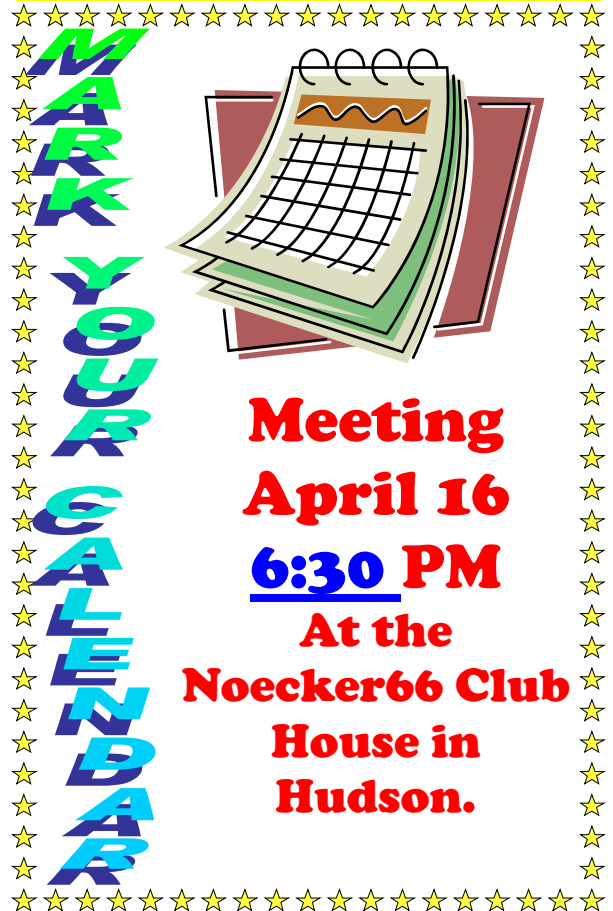
**DUES!**

**PLEASE**



**GOD BLESS AMERICA**

Please join us on the Tuesday night Roundtable on 147.210 at 7:00 PM. ALL are welcome! Use the EchoLink (K2RVW-R) if need be.



**MARK YOUR CALENDAR**



**Meeting April 16 6:30 PM At the Noecker66 Club House in Hudson.**

# **\*\*\* APRIL MEETING \*\*\***

## **Guest Speaker Dave Galletly, KM2O, ENY SEC NOECKER66 CLUB HOUSE**

### **4/16/2012—6:30 PM**

The auction went well. Everybody had a good time. Lots of stuff was sold with a lot of bargains. The auction profit was \$151.00...

**See photos and past  
Newsletters and much  
much more club  
information at:  
[www.w2jsn.com](http://www.w2jsn.com)**

### **RVWARS WEB PAGE**

The Web Page has been updated! We added some info on the main page to try to keep folks aware of events. Comments and suggestions are welcome. We will keep Dave Clappers design at least for now. Let me know what you think.

[www.rvwars.com](http://www.rvwars.com)

[Join our Yahoo Group at the bottom of the web page. Simply enter your call sign](#)

### **N2LEN Repeaters**

#### **The N2LEN Repeater Network:**

147.150 114.8hz East Windham, NY  
449.025 114.8hz New Baltimore, NY  
448.275 114.8hz Colonel's Chair Ridge  
442.050 114.8hz Sam's Point, NY 2200'

#### **Yahoo Groups**

<http://groups.yahoo.com/group/N2LENREPEATER/>

<http://groups.yahoo.com/group/ECHOLINK/>

<http://groups.yahoo.com/group/GCNYARES/RACES/>  
Echolink Node #6269  
IRLP Node #4207

### **REPEATER REPORT**

We applied for and received a **\$1000 grant for solar panels from Hudson River Bank Foundation. Thanks to Mary Daggett for her magic pen.**

Carl, WB2TCV is heading up the purchase and installation of the solar panels.

I STILL have not heard from the tower folks about the replacement antenna. They left me believing that the antenna would be covered under warranty and I am still waiting to see how they made out.

The 1/2" jumpers are all made up so that they can install them next time on the tower.

The repeaters seem to be working fine but of course there is a diminished signal to the south and east with the 100' antenna mounted on the north-west side of the tower.

I have been starting and running the generator on occasion and it is working fine.

I am still working on a new fuse panel. It is coming along OK.

### **RVW WORK PARTY**

The next work party will be in the spring. Maybe we can spray some weed killer around the old shelter. And if the stone is still there we could spread that around some of the rough spots near the old shelter. We should try to keep it looking nice for the Village and us. I am looking forward to Spring!!!

The easiest way to notify everyone of the time is with the RVW Yahoo group. If you are not a member please go to the club web page [www.rvwars.com](http://www.rvwars.com) and scroll to the bottom of the home page for the link. Simply enter your email address.

### **ARRL Status**

If you are a RVWARS club member we need to know if you are a member of the ARRL. We are updating our ARRL affiliation and need to know how many members are ARRL members. Please let me know. [wa2uet@taconic.net](mailto:wa2uet@taconic.net)

**"WHY FIT IN WHEN  
YOU WERE BORN  
TO STAND OUT?"**

Dr. Seuss

### **GCARC NEWS**

Hi Stan, this news letter is a lot of work Hi Hi. Not to much going on. We are working on the plans for Field Day, and due to the competitive nature of the event I can't divulge the exact plans as they are 'top secret'. All I can say is watch out for "The Dark Side" as our friend Dave WD2K once said. Had a great time at the Rippers auction, even got some good stuff.

At the ARES/RACES meeting Charlie, WA2GUG gave a great presentation on NVIS antennas. I put one in my back yard, it is a 1/2 wave dipole for 80 meters, 15 foot high in the center, 3 feet on each end. It is feed with rg8 and a 1:1 balun. It is only temporary for now. Let me know if anyone would like to try it out sometime. It acts like it hears a lot better than I thought it would and it loads up fine.

I presented a request to the Cairo Board of Fire Commissioners to install a vhf/uhf antenna at there fire station for use in a county emergency, and am glad to report that that they gave us permission. that's about it.

73, Claude/WT2C



## Upcoming Events

### RVWARS Meeting Monday April 16

6:30 p.m.

Noecker66 Clubhouse, Rt 66 &  
Graham Avenue, Hudson

ARES/RACES Meeting first  
Monday of the month at CC EOC  
WB2DUW-RO  
N2NZD-EC

## Weekly Nets

EVERY TUESDAY at 7:00 p.m.

Informal Roundtable on the  
147.210 repeater ALL are  
welcome.

1st Wednesday of the Month

Columbia Greene-Emergency Net  
on the N2LEN 147.150 Repeater  
7:00 PM

## Repeaters

***BACK ON THE AIR!!!***

147.210/147.810 no PL tone  
449.925/444.925 no PL tone  
224.280/222.680 no PL tone

## Vital Statistics

President — Mike Alecksynas N2JVE  
Vice President — Tom Gutierrez N2NZD  
Secretary — Tom Cody WE2G  
Treasurer — Stan Engel WA2UET  
Historian — Stan Engel WA2UET  
Safety Officer — Stan Engel WA2UET  
Repeaters — 147.210 224.280 449.925  
Club Call — K2RVW  
Club Special Event Call—WD2K  
Web Page — <http://www.rvwars.com>  
NEWS E-mail — [wa2uet@taconic.net](mailto:wa2uet@taconic.net)  
Yahoo Group  
<http://groups.yahoo.com/group/RVWARS/>

## RVWARS Meeting 3/19/2012

- Meeting called to order at 6:30pm by President. N2JVE. Attendance 29.
- Secretary's report read. Motion to accept by AC2DK, second by KC2AGM.
- Treasurer's report Checking \$1051.23, Savings \$1011.12, Petty Cash, \$50.00, Total \$2062.35.
- **Repeater**  
Grant received from Hudson River Bank and Trust Foundation for \$1000 for solar panels for the repeater site. WB2TCV will purchase and install them. Still no contact from tower people about broken antenna. Could Manny help?
- **Field Day**  
Wireless router still needed. (Purchase or donation?) Windows 7 machines needed a week before Field Day for Barry to program. Everything is going well.
- **ARES/RACES**  
Columbia County, no activity  
Greene County WB2GUG giving NVIS presentation at meeting at 911 center in Cairo March 21. Open to the public.
- **Old Business**  
Total estimate for solar installation is \$1345. Satellite mount for roof of repeater shack also may be needed. Grants are only \$1000 per year.  
Discussion on \$345. additional tabled until April meeting.  
Dent in hardline inside tower. Sweep showed cable was good.  
Back-up antenna is at 100 feet.
- **New Business**  
Letter on behalf of Churchtown Fire Co, thanking RVWARS for hand held was read.  
April and May meetings will begin at 6:30.
- Meeting closed at 6:50pm. Motion by AC2DK, Seconded by WB2TCV  
50-50 won by WT2C  
Respectfully Submitted,

Thomas J Cody  
WE2G, Secretary





# Valiant VFO Repair

By: Carl J. Verderber WA2UJX  
March 27, 2012

Last year I had an interesting repair on a Johnson Valiant that left me aware of how frustrating it can be to access broken parts in some "boat anchor" rigs. I want to share this experience with fellow HAMs in the event you might happen across a Valiant that has similar symptoms.

The problem manifested itself by intermittently loosing output from time to time during a transmission. To diagnose this intermittent, I pulled the three 6146 final tubes and monitored the driver and oscillator output current. Every so often I observed drive and oscillation was lost. Looking further, I found the VFO Oscillator screen voltage regulator (V1) did not fire (an OA2 gas regulator). After some research of the rig's schematic I noticed an 18K OHM current limiting resistor (R3) feeding that VR tube (SEE: figure 1).

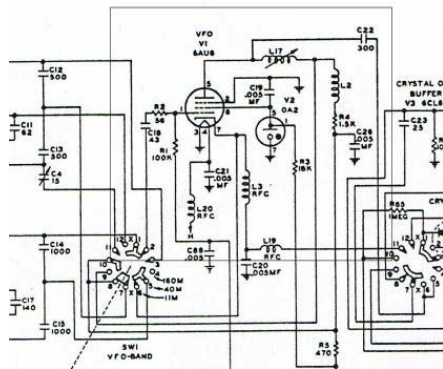


Figure 1

To verify resistor integrity and since the resistor and tubes are within the VFO housing, removing one side of the VFO box revealed a two tube sub chassis with components connected to the tube sockets (SEE: figure 2).

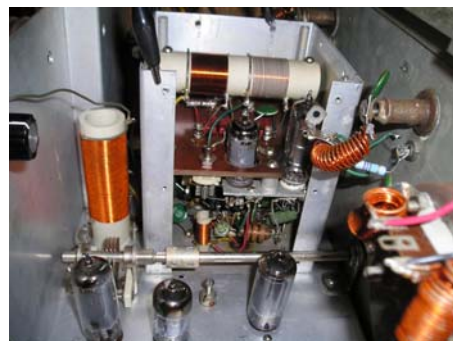


Figure 2

With the use of an ohmmeter the resistor was verified defective so to replace it the sub-chassis had to be loosened and rotated. Unfortunately, this resistor had been replaced in the past and the socket pin was so fragile that it broke off. A new socket and the resistor were finally replaced (SEE: figure 3). The repair was affected and the rig works well again - but next time I need to replace this resistor, I will solder a wire lead from the VR tube socket to a point underneath the chassis to the tie point for power. This will allow the resistor to be relocated to a conveniently place for future repairs. If I had done some research on the internet, I would have found this suggested modification had already existed. This repair requires special techniques, tools and lots of patience because of the confined space. I hope this information is useful. WA2UJX

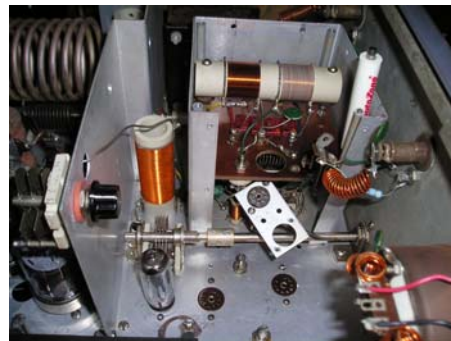


Figure 3

END

## HOW I HANG MY ANTENNAS

Date: March 28, 2012  
By: Carl J. Verderber WA2UJX

There are many ways to place rope into the tree limbs in order to hang a wire antenna. Some use an air powered bazooka while others might use a bow. It really doesn't matter how you do it as long it gets the job done. About 10 years ago I invited a HAM buddy (KC2DMC) to my QTH to help me get one of my dipole antennas higher into my trees. I knew Davey made a tool and used it to fling weights on fishing line into or over the tree limbs. Dave also developed a technique to eventually get heavy lines up there too. While watching him perform his tricks, I studied his techniques and use them to this day.

Dave's tool was a Wrist-Rocket slingshot with an inexpensive fresh water spin casting reel mounted to one of its legs. Using 8 or 10 lb test monofilament line attached to a 3/4 or 1 oz lead sinker, Dave could place the sinker anywhere he aimed. If there were a lot of trees growing tightly together, he sometimes

would send the sinker straight up above the tree only to see it fall over a specific branch and straight down again. These techniques are simple to understand but take some skill to perform.

Another technique used is once the sinker came down and the monofilament was in the right place over the limb, he would then tie Mason's line to the mono line and then pull Mason line over the limb. Tying the Mason line to a lanyard or 5/16 rope the Mason line was used to pull the rope over the limb and then connected to an insulator on the end of the wire antenna. The three step method was used because the monofilament would break if used to pull the rope directly.

Since that time, I reproduced my own rig and have had great success with it. The Wrist-Rocket was a holdover from my youth and the casting reel was a \$7.00 special at Walmart (SEE: figure 1). I always use eye protection in case the rubber tubing might break (SEE: figure 2).

There is a product available to HAMs similar to Dave's rig called E-Z-Hang and it costs about \$100.00. New Yorkers can't order this product because wrist stabilized sling shots are not legal to sell in this state.



Figure 1



Figure 2

END

Sometimes you just have to be selfish. When I'm working with fire fighter recruits I help them understand that if they don't keep themselves as safe as possible then they could become part of the problem that they were called to solve. The same would apply to those of us who are willing to provide emergency communications when "all else fails". The devastating weather events that have occurred around the country this late winter and early spring serve as reminder that it could happen to us and that ham radio serves a very important role in providing valuable and vital communications. If we are to be of assistance to others we must first insure that we and our families are safe so that we can focus on the task of helping others. There is a plethora of information available on preparing your family and your home to deal with natural and manmade disasters. Your favorite Internet search engine will help you learn more and get yourself prepared. The ARRL has several publications regarding emergency communications provided by ham radio operators. The Department of Homeland Security is exploring ways to better include ham radio capabilities into disaster response and recovery communications. One of the reasons we are keeping our valuable spectrum allocations is because of our ability and willingness to provide emergency communications. Not every ham is willing to be deployed to provide emergency communications and that is OK. There are many opportunities to assist from home by relaying traffic. So, be selfish. Get yourself, your family and your home ready for the "worst case scenario". If you are not part of the solution you just might be part of the problem.

The two day Technician Licensing Course is rapidly approaching. Please check out the course outline on the RVWARS web site and let me know which sections you'll be able to assist with the presentation. We have 10 students signed up so far so we will need several mentors to not only assist with the class but also to follow-up with the successful licensing candidates. A VE session will be held at the end of the course on the afternoon of April 28<sup>th</sup>. Please encourage others to sign up for the course. There is still plenty of room for more. There is a new ham radio themed novel by Andrew Baze AB8L available through the ARRL. The story revolves around a teenager and his family as they deal with an earthquake and the aftermath. Survival and safety depend heavily on ham radio. Books such as this and those by Cynthia Wall KA7ITT might entice young people to explore the world of ham radio. A great gift for your children or grandchildren.

Packet is a digital mode which still has value in ARES and RACES applications. Many newer computers with Windows 7 pre-bundled do not have the HyperTerminal program on board as was the case with the Windows XP machines. This program makes a good terminal program to use with most TNCs. The other issue is the lack of RS-232 serial ports on newer computers. All is not lost! Hilgraeve, Inc., the company that developed the HyperTerminal program, has a version available that works very well with the Windows 7 OS. Several versions are available but the Private Edition Version 7 for \$59.99 works very well. If you are heavily into other TelNet activities you might want to consider a more advanced capability version but the Private Edition works well for ham radio packet. There are several vendors that provide an adapter to convince one of your computer's USB ports that it is a Serial port. These adapters list for \$50.00 to \$80.00 and ship with a mini CD containing the required software. TNCs are available at ham fests so no need to spend megabucks for a new one. Connect up a TNC to that old 2 meter transceiver you have tucked away, connect the computer to the TNC via that USB to Serial adapter, boot up the HyperTerminal (or similar program) and join the RVWARS packet users on 145.030.

73 for now.....AR....SK....de K2WG

## APRIL MEETING GUEST SPEAKER

Dave Galletly, KM2O, the ARRL Eastern New York Section Emergency Coordinator, will be our guest speaker at the RVWARS meeting on April 16. Dave will give a presentation on the Amateur Radio Emergency Service and emergency communications in Eastern New York.

### NL Article from 12 years ago!

#### SOME REALLY BAD HABITS

**Bad:** "What's your handle?" "The first personal here is....."

**Good:** "What is your name?" "My name is....."

**Comment:** A handle is something that is part of a mechanism that opens something, or facilitates the carrying of an object.

**Bad:** "QTH is..." "What's your QTH?" "Let's QSY" "QRM, QRN, QSB, QRT"

**Good:** "Location is..." "What is your locations/" "Let's change frequency to..." "Interference, noise, fading, shutting down station"

**Comment:** Q signals are for CW and other digital modes.

**Bad:** "Over and out"

**Good:** "Out"

**Comment:** You NEVER say "over" and "out" together. "Over" means you are expecting a reply. "Out" means you are not expecting or requiring a reply.



**MUSINGS OF THE CURMUDGEON**  
A reprint from 3/1999



Last year at about this time the hobby was incensed by the LEO satellite industry grab for our VHF/UHF frequencies. Tempers ran high and letters were sent to any and all demanding that the bands be left alone. Here we are a year later and few of us would notice if the bands were reassigned today. Repeaters spend hours and days unused, simplex is a wasteland and packet is dead. There is little justification for our free use of many megs of valuable band space after all our ranting.

Where are all the folks who were supposed to save our bands if only we would drop the code requirement? Could it be that things given too freely are little valued or did they find that radio was not after all a hobby for them? Or is it because there is little interesting happening on the repeaters. If it is the last then it is their fault for not bringing interesting conversations and discussions to the bands? It is their fault for waiting to have the old timers do it for them. It is THEY.

Or it is the old timers for not accepting the new folks and leaving the repeaters? It is they who talk about the fine points of obscure antennas and circuits. It is THEY.

Look again, it is US. If we all do not begin using our bands we will lose them. If we do not develop interesting conversations and draw in everyone WE all lose. THEY win!

by Dave Watrous, WD2K—3/99

**Free Circuit Design Tools for Ham Radio**

By Dan Romanchik, KB6NU

About a week ago, I started looking for a schematic capture program so that I could easily generate some simple schematics for my upcoming Extra Class study guide. Since I use a Mac as my main computer, I first asked on the Ham-Mac mailing list if anyone knew of a good one. I got several recommendations, including:

- Diptrace (<http://www.diptrace.com/>)
- Eagle (<http://www.cadsoftusa.com/downloads/freeware/?language=en>)
- McCad (<http://mccad.com/>)

Eagle looked like a good choice, although several people mentioned that the user interface "left much to be desired."

Then, I remembered that I had OmniGraffle, which is a general-purpose diagramming tool. Googling around, I found several sets of electronic symbol libraries that could be used with OmniGraffle. I installed them, and generated a couple of figures for the study guide section that discusses T-network and pi-network filters. It was a reasonably good solution to my problem.

A Web solution

A couple of days ago, though, someone on the local Maker mailing list, pointed me towards CircuitLab (<https://www.circuitlab.com/>), an online schematic capture tool and circuit simulator. I haven't tried the circuit simulation yet, but the sche-

matic capture tool is really easy to use. It's much easier to use for drawing circuit diagrams than OmniGraffle.

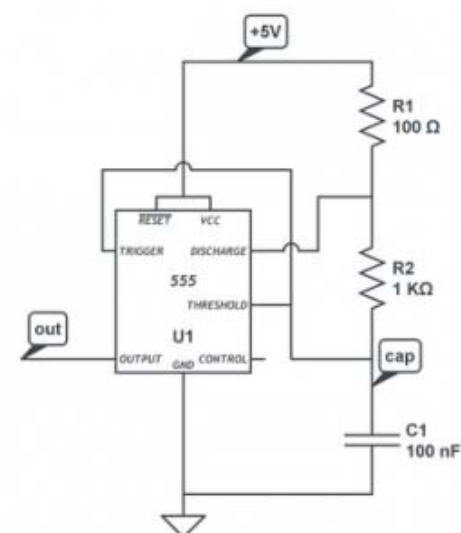
Another benefit is that it doesn't matter what computer you're using. Because it runs in a Web browser, it doesn't matter whether that browser is running on a Mac or a PC or even a Linux box.

If you set up an account, you can save circuits to your "workbench." To get you started, there are some sample circuits, such as the 555 timer circuit shown in Figure 1. There's also some decent documentation and a forum where you can discuss circuits and get some help.

Finally, the price is right, too. It looks like using CircuitLab is completely free. I couldn't find any pages that required payment.

=====

When not searching the Web for circuit design tools, you'll find KB6NU working 30m CW and twittering away about his contacts. His Twitter id is @kb6nu. If you don't tweet, you can read his blog at [www.kb6nu.com](http://www.kb6nu.com).



**There have been a number of changes to the Constitution and By-Laws**  
**THE COMPLETE CONSTITUTION AND BY-LAWS DOCUMENT IS ON OUR WEB SITE AT**  
**WWW.RVWARS.COM**



**Items for sale de K2WG**

1. Two Decibel UHF base station antennas. 20 years old but have not been in use since 2002. Exact model no longer manufactured but similar to current model ASP-705K 10 dB gain, 450-470, 500 watts, N female connector. Asking \$250.00 each or \$400.00 for both.

Contact: wayneg1231@fairpoint.net  
Phone: 392-5704

**WANTED**

If anyone has a decent P4 desktop computer that they don't want any more we could use one at the repeater site. I am using a laptop but a desktop would be handier if you have one. I don't really need a keyboard but a LCD monitor would be nice.

Reminder from: TARA-N2TY Yahoo! Group

**T.N.T. TRADER NET**

Date: Thursday September 29, 2011  
Time: 8:00 pm - 10:00 pm  
Repeats: This event repeats every week.  
Next reminder: The next reminder for this event will be sent in 1 day, 12 hours, 4 minutes.

Location: TARA REPEATER SYSTEM: 145.17/R & 447.075/R

Notes: This is a reminder for our weekly TARA - T.N.T. Trader Net which dedicated towards buying, selling or trading your amateur related items. All are welcome to come join us at 9:00 PM on the TARA repeater system 145.17/R & 447.075/R, plus Echolink #1774 or IRLP #4151.

Get reminders on your mobile, Yahoo! Messenger, and email.  
Edit reminder options

**ANTENNAS FOR SALE**

Comet GH50 6 meter vertical—\$50.00

Diamond X50A Dual Band 2 meter 450MHz \$50.00

Call Martha at 828-5282

**FOR SALE**

Collins (round emblem) hf amp model number 30L-110/15/20/40/80-meters. All RCA tubes-220-240volts-very nice condition, includes all antenna adapters. Lee will deliver within 25 miles of his qth-----Asking \$650

Gray Electronics 10 Meter Amplifier, 300 watts output/5 watt input, needs a 30-40 amp power supply-----Asking \$150

Garmin Nuvi 1390 GPS with Lifetime Map Updates-----Asking \$125

He also has bulk of LMR-400 Coax Cable, he wants \$.70 a foot for it. He will install PL-259 ends on it for \$6.00 per Each connector.

k2hat@ymail.com  
518-772-3040

**PROFESSIONAL INSURED TOWER CLIMBER DISCOUNT RATES FOR HAMS**  
ANTENNAS - FEED LINES INSTALLED & REMOVED  
CALL **ARNIE CAVALLARO**  
518-965-9299



I have about 16 -120 volt pan cake fans plus protective guards if you know of anyone that needs one and 2-12volt 6watt.

10-- 10 watt fans----- \$4.00 @  
1--12 watt-----\$5.00 @  
3-- 20 watt-----\$5.00 @  
2-14 watt-----\$\$5.00

\$5.00 for the 12 volt fans @

Contact Ron, WA2UYY  
wa2uyy@aol.com

**Trade/Sale/In Search Of**

I have some 'used condition' amateur rig's I purchased in the past 'new' eg. -1 Alinco DR-605 2/440 mtr fm dual band'r, 6 mtr fm mono band'r, 2 mtr fm mono band'r some 'cb' rig's (am), 1 is a ssb/am. These rig's either DO or Do Not function! Mostly all are easy/cheap 'radio repair' issues eg. internal 'fusing' maybe final or a digital led 'quirk' whatever! My Quest is to swap/trade (barter?) whatever it 'takes from my 'rig collection' to acquire a simple mono mode cw or better if (Lucky:-) cw/ssb 2 MTR rig. Not qrp but qrp 5w or better. This can be Any 'working' stable rig, transverter, completer kit rig, (the mfj-2mtr is an example). If Anyone is Interested in 'trade' or trade/cash 'barter' I am open ears. :-)  
I've had much 2 mtr fun with fm now to go on with cw, and/or ssb. :-)-ke2eb George H. Call West Cossackie, NY 518-731-9854 bubby-call@yahoo.com

**KENWOOD TS-850S**

With PS-52 Power Supply and Kenwood MC85 Desk Microphone. It's in excellent condition since it was not used very much. \$599.

Call Len Sawicky, WB2UEB after 5PM at 828-0791

**MT. BEACON AMATEUR RADIO CLUB**  
SUNDAY, APRIL 29th, 2012

**HAMFEST**

**Location**  
Tymor Park LaGrangeville  
Dutchess County, New York 12540  
Talk-in on 146.97 - 600 (tone 100)  
249 Duncan Road GPS N41 39.240, W73 41.818

<b>Admission</b> \$7.00 for buyers Indoor tables: \$12.00 Prepaid or \$15.00 at the Gate Tallgating: \$9.00 per space or \$14.00 for two	<b>Doors open</b> 8am to 2pm Sellers 6am Buyers 8am
---	--

**For More Info Contact**  
David Ruth KC2AFK  
(845)677-5079  
kc2afk@optimum.net

**HOT FOOD & BEVERAGES**  
Breakfast Sandwiches  
Hot Dogs and Hamburgers  
Hot Coffee-Cold Soda-Water

**Directions**  
From the North take Taconic State Parkway South to Rt 55 East  
Go to RT 21 (Orange Rd) and make Left Then right on Duncan Rd  
From Newburgh take I 84 east to Taconic State Parkway North to Rt 55 East  
Go to RT 21 (Orange Rd) and make Left then right on Duncan Rd

**FCC Exams—All License Classes!**  
Registration: 9am to 10am  
Bring photo ID, original & photo copies of both your AR license and any CCE's

**Large Indoor & Outdoor Location!**  
Non-Ham Spouses & Kids FREE!

## Greene County Ares & Races News

On Wednesday evening March 21st, 2 amateurs from New York City, Charlie WA2GUG, EC Queens and Russ KC2LSB, DEC NYC ARES held their "NVIS: How these antennas function" seminar. It was a fantastic and very informative presentation! Along with the power point presentation, we enjoyed a nice "Show and Tell" radio equipment demonstration. It was great to have a nice turnout of amateurs from near and far. After the presentation, Charlie and Russ opened a question and answer forum. Several people asked questions. Even some local hams have already constructed and erected NVIS dipole antennas. We are hoping to possibly test communications throughout the Eastern NY section using NVIS antennas in the future. Maybe an Idea for FIELD DAY 2012? I want to thank Charlie, WA2GUG, Russ, KC2LSB, and Jim, KC2LEB for a great evening!

I am very happy to announce that Claude WT2C, Greene County Ares AEC, had his request of installing a amateur radio antenna and radio equipment APPROVED at the Cairo Firehouse. After sending a letter of intent to the Cairo Board of Fire Commissioners, he was then asked to give a quick presentation in front of the board. On Monday evening March 26th after his presentation, the request had been approved! Kudos Claude, WT2C!

The April meeting is April 18th, 2012 at 7:00 PM.

### Other Greene County NY Ares & Races News:

The Greene County NY ARES & RACES Hurricane Irene "Final" Report has been completed. The original hard copy was first hand delivered to John Farrell, Greene County Emergency Services Director last week. The report will be given to the entire Greene County Legislation. I am planning on sending the report to Columbia County NY Emergency Management Director, William Black and other county officials. A copy will be given to FEMA, The American Red Cross, SEMO, and has been distributed to ARES & RACES groups throughout the entire Section.

Hopefully the report can be used as a learning tool for other groups in the event of a natural disaster. If anyone is interested in reading the report. The complete 145 page report is available on the Internet for immediate viewing and download at: <http://tinyurl.com/7rhosx3>

Greene County NY ARES & RACES is now LIVE on FACEBOOK! Any information, announcements, pictures, etc are now available. Here is the direct link. If you do navigate to the page, kindly show support and "LIKE" us!  
<http://tinyurl.com/88tua6n>

### ARES Central District News:

As the new ARES District Emergency Coordinator, I traveled in the beginning of March to the Columbia County ARES & RACES monthly meeting. I sat down with Tom WE2G and Jim, KC2OGK. We discussed current county active membership and ideas to improve the group. I am looking to travel down to Ulster County in April and meet with EC, Matt KC2DTN to discuss the same. The month of May, hopefully

with be Sullivan County. In the future 2012, I am planning on hosting a quad county ARES meeting once a year with all active members across the Central District.

I would also like to welcome, Bruce Goldstein WA3AFS. New Assistant SEC and primary liaison to the National Weather Service SKYWARN program. Bruce is an Albany County AEC & SKYWARN Coordinator. Bruce's role as ASEC is to:

- (1) coordinate staffing for activation when required at NWS Albany Office
- (2) Maintain contact with and update County SKYWARN Coordinators and Nets in the ENY Section including those covered by NWS Upton and Binghamton
- (3) Maintain contact with County Coordinators and Nets in counties outside ENY but within the Albany NWS Office area. He has been named Regional SKYWARN Coordinator by the Albany NWS office.

In the beginning of March, Part of the Eastern NY Section and Red Cross from Albany EOC, as far south to Rockland held a successful communications test over the N2ACF linked repeater system.

Thank you,  
Warmest Regards,  
Len Signoretti, N2LEN  
E-mail: [N2LEN@aol.com](mailto:N2LEN@aol.com)  
518-653-1287

Central District ARES DEC For Eastern NY  
Greene County NY ARES EC  
Greene County NY RACES RO  
The N2LEN Repeater Network  
147.150 114.8hz East Windham, NY 2300' Greene County NY  
449.025 114.8hz New Baltimore, NY 950' Greene County NY  
448.275 114.8hz Colonel's Chair Ridge 3200' Hunter Mtn. Ski Resort, Greene Cty NY  
442.050 114.8hz Sam's Point, NY 2200' Ulster County NY  
My Yahoo Groups:  
The N2LEN Repeater Network Yahoo Group Page  
The "Echolink" Yahoo Group Page  
Echolink Node #6269  
IRLP Node #4207  
Greene County Amateur Radio Emergency Services on FACEBOOK





# GET YOUR OFFICIAL FCC AMATEUR RADIO LICENSE



## FREE 2 DAY CLASS

Sponsored by the Rip Van Winkle Amateur Radio Society, Inc.

**Saturday April 21—8 AM to 5 PM**

**Saturday April 28—8 AM to 5 PM**

**FREE Lunch and soda and coffee will be served  
License exams given at the end of the class on the 28th.**

**Held at the Noecker66 Dealership  
Route 66 and Graham Avenue, Hudson**

***For more information and to register call***

*The License Manual is required and we will furnish it for \$30 payable when you register.  
(walk-ins are welcome but you will need to purchase your own manual available on the ARRL web site)*

***Stan at 518-392-4559—leave a message***

***John at 518-828-7628—8 AM to 5 PM M-F***

***More details on our web site-[www.rvwars.com](http://www.rvwars.com)***